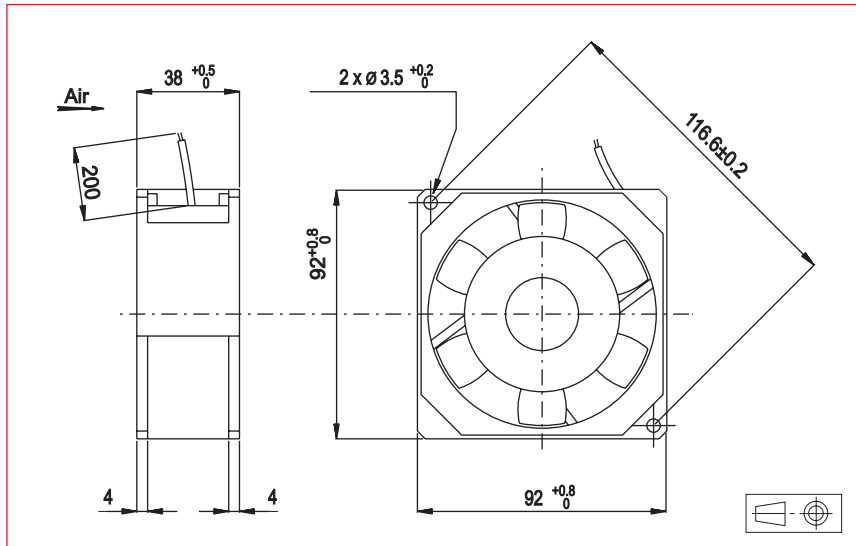


3,622" x 3,622" x 1,496" 92 x 92 x 38 mm

113XP

**ETRI**<sup>®</sup>

400 Hz Fans



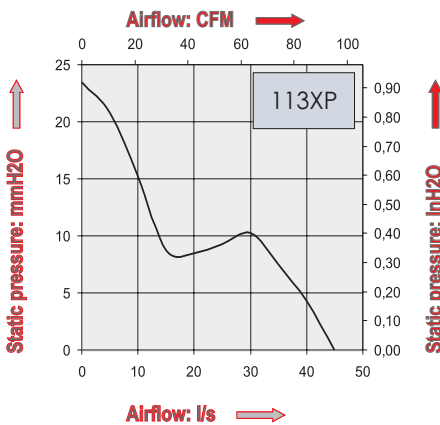
**Approvals**

NATO codification

**Life expectancy**

L-10 LIFE AT 40°C:  
35 000 hours

**400 Hz Motor** Connection: flying leads  
 Housing material: aluminium  
 Impeller material: plastic UL 94 VO  
 Weight: 480 g  
 Bearing system: ball bearings



Part Number	Nominal voltage	Airflow	Noise level	Nominal speed	Phases	Capacitor (not included)	Input power	Nominal Current	Starting Current	Operating temperature	
	V	l/s	dB(A)	RPM		µF	W	mA	mA	Min.°C	Max.°C
113XP0162001	115	45	58	5500	3		19	180	435	-10	70
	115	45	58	5500	1	0,69	20	200	350	-10	70
113XP0160001	200	45	58	5500	3		19	105	250	-10	70
	200	45	58	5500	1	0,22	20	110	200	-10	70

**Additional versions:** Salt spray protected - Shock and vibration protected - Marine specifications - Wide temperature range  
**Accessories:** Refer to Accessories leaflet

Non contractual document. Specifications are subject to change without prior notice. Pictures for information only. Edition 2008